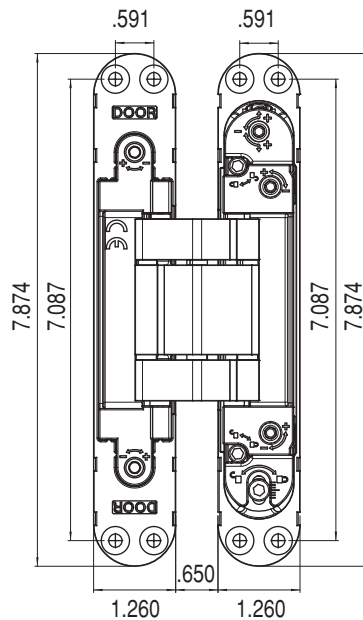


RY-120

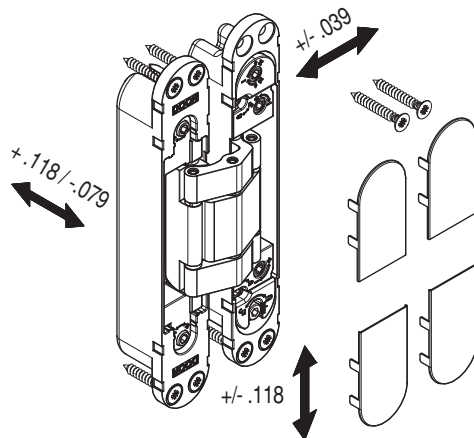


NORTH AMERICA

3 axis adjustable hinge 5 fulcrums



Hinge barrels disappear from view with RocYork's concealed hinges, leaving subtle clean lines around the EZYJamb.



ROCYorkTM
Architectural Door Furniture
 New York - Melbourne - London

3 axis adjustable hinge 5 fulcrums

Max Panel Width	36"
Max Panel Height	120"
Door thicknesses	1-3/4"
Adjustments	X: Horizontal ± 3 Y: Depth $+3/-2$ Z: Vertical ± 1
Capacity ¹	265 lbs (2) RY-120 hinges 308 lbs (3) RY-120 hinges
Finishes	Satin Chrome 626
Fire Rating ²	UL 20 minutes

DESCRIPTION

Make your door hinges disappear with the RocYork concealed door hinge from EZYJamb! Some of the features and benefits of the RocYork concealed door hinge from EZYJamb include:

- No visible barrel or pin
- Maintenance free bearing mechanism
- Aesthetically pleasing hinge covers

APPLICATION

This revolutionary architectural breakthrough will allow uninterrupted clean lines around internal doors for the ultimate square-set interior.

¹ When used with EZYJamb Flush Finish Frames three hinges is strongly recommended

² Tested in the US by UL in accordance with ANSI/UL 10C - Fire Test of Door Assemblies



RY_RY120_SD_0716

1/2

For Sales and Technical Enquiries, please contact Ezyjamb USA 1 888 Ezy Jamb

T: 1 888 399 5262 | F: 585.545.3010 | E: sales@ezyjamb.com | W: www.ezyjamb.com

EZCONCEPT
 Global Architectural Solutions

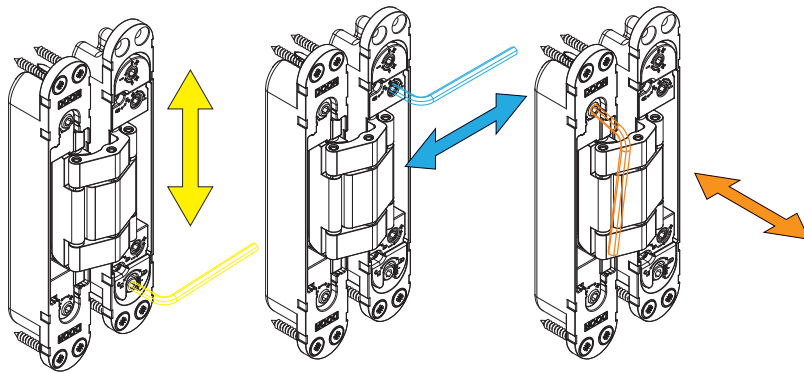
RY-120



NORTH AMERICA

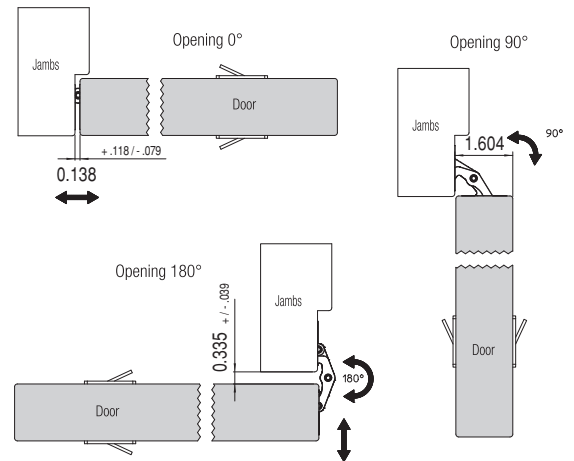
3 axis adjustable hinge 5 fulcrums

ADJUSTMENT



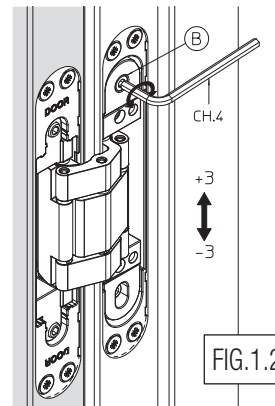
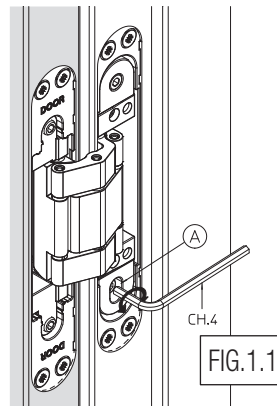
3 Axis of Adjustment - The hinge can be adjusted in three directions to align door margins

OPENING



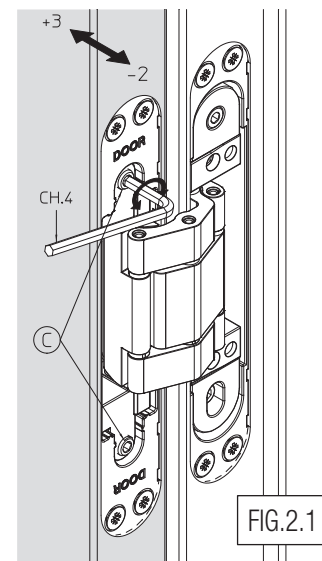
VERTICAL ADJUSTMENT

Loosen screw "A" on all hinges. (fig. 1.1).
Adjust the door hinge by turning pin "B" (fig. 1.2).
Repeat the adjustment procedure on all other hinges from the top hinge to the bottom hinge, so that the door weight is evenly distributed on all door hinges. After having finished the adjustment, tighten all screws "A" (fig. 1.1).
In case the panel weight is close to the maximum loading capacity, we suggest to use a wooden wedge under the panel.



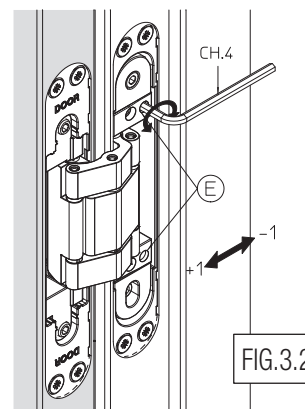
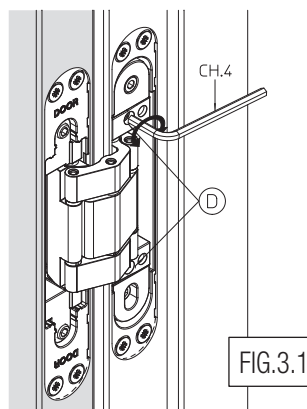
HORIZONTAL ADJUSTMENT

Adjust the door leaf by rotating pins "C" (fig. 2.1).
Repeat the adjustment procedure on all other hinges from the top hinge to the bottom hinge.



DEPTH ADJUSTMENT

Loosen screw "D" (fig. 3.1).
Adjust the door by turning pins "E" (fig.3.2). Repeat the adjustment procedure on all other hinges from the top hinge to the bottom hinge.
After having finished the adjustment procedure proceed with the tightening of screws "D" (Fig. 3.1) on all hinges.



Information contained within this document supersedes all previous versions and is subject to change without notice.

2/2

For Sales and Technical Enquiries, please contact Ezyjamb USA 1 888 Ezy Jamb

T: 1 888 399 5262 | F: 585.545.3010 | E: sales@ezyjamb.com | W: www.ezyjamb.com

EZCONCEPT
Global Architectural Solutions

RY_RY120_SD_0716