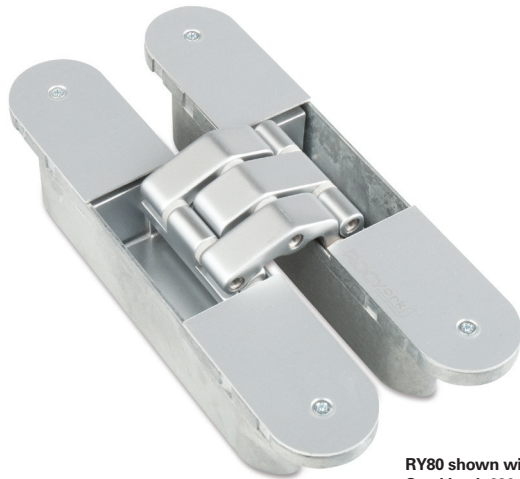


# RY-80



NORTH AMERICA

## 3 axis adjustable hinge 7 fulcrums

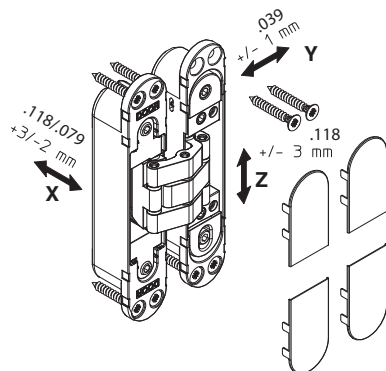
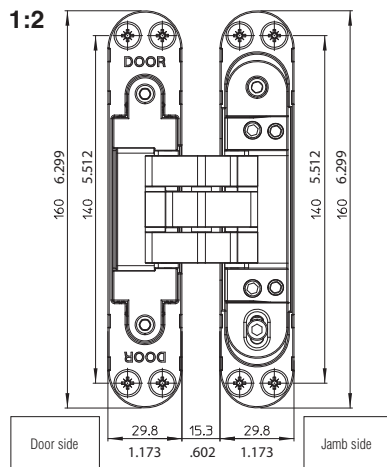


RY80 shown with Stainless Steel Look 630 finish

**ROCYORK**<sup>TM</sup>  
**Architectural Door Furniture**  
 New York - Melbourne - London

### 3 axis adjustable hinge 7 fulcrums

Max Panel Width	36"
Max Panel Height	108"
Min Door Thickness	1-3/4"
Adjustments mm	X: Horizontal +3,-2 Y: Depth ±1 Z: Vertical ±3
Capacity <sup>1</sup>	176 lbs (2) RY-80 hinges 228 lbs (3) RY-80 hinges
Finishes	Satin Chrome 626 Stainless Steel Look 630 Satin Nickel 619 White Black
Fire Rating <sup>2</sup>	UL 20 minutes



Hinge barrels disappear from view with Rocyork's concealed hinges, leaving subtle clean lines around the EZYJamb.

### DESCRIPTION

Make your door hinges disappear with the Rocyork concealed door hinge from EZYJamb! Some of the features and benefits of the Rocyork concealed door hinge from EZYJamb include:

- No visible barrel or pin
- Maintenance free bearing mechanism
- Aesthetically pleasing hinge covers

### APPLICATION

This revolutionary architectural breakthrough will allow uninterrupted clean lines around internal doors for the ultimate square-set interior.

<sup>1</sup> When used with EZYJamb Flush Finish Frames three hinges is strongly recommended

<sup>2</sup> Tested in the US by UL in accordance with ANSI/UL 10C - Fire Test of Door Assemblies



RY\_RY80\_SD\_0716

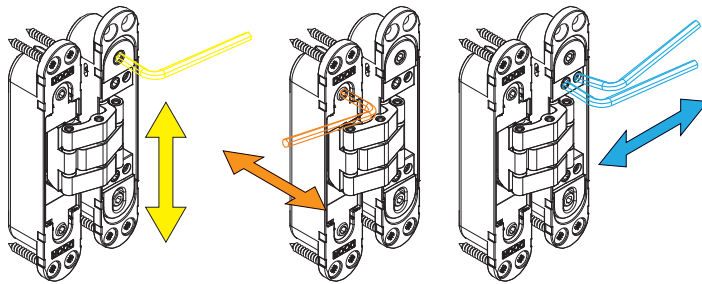
# RY-80



NORTH AMERICA

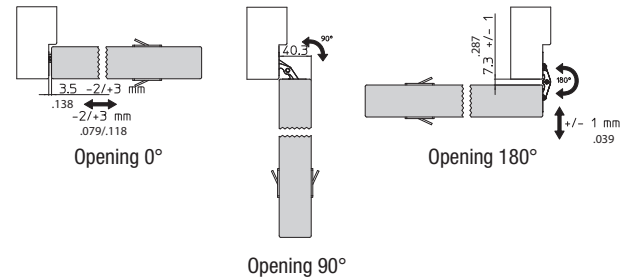
## 3 axis adjustable hinge 7 fulcrums

### ADJUSTMENT



3 Axis of Adjustment - The hinge can be adjusted in three directions to align door margins

### OPENING



### VERTICAL ADJUSTMENT

Loosen screw 'A' on all hinges (fig. 1.1). Proceed with the adjustment of the upper hinge. Adjust the hinge by rotating screw 'B' (fig. 1.2), then tighten the screw 'A'. Repeat the adjustment on the lower hinge and finally on the central hinge in the middle so that the door leaf weight will be regularly distributed on all hinges.

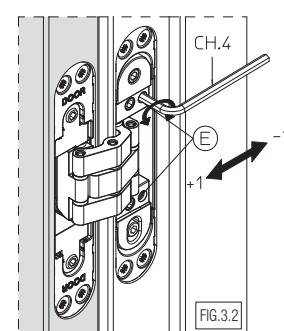
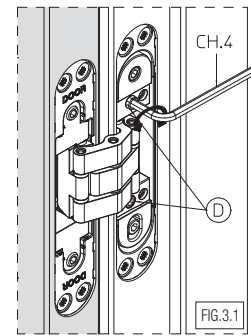
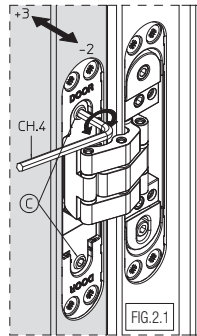
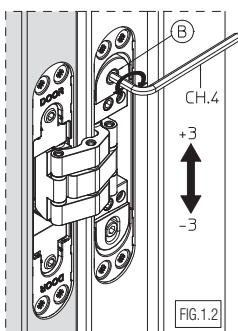
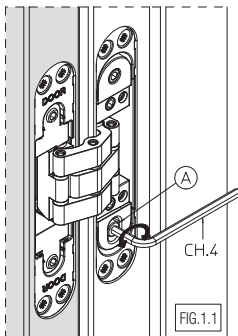
**It is extremely important to obtain a definite adjustment by acting gradually on all mounted hinges. After having reached the optimal adjustment with the screw, fix the screw to block the hinge without forcing.**

### HORIZONTAL ADJUSTMENT

Adjust the door leaf by rotating pins 'C' (fig. 2.1). Repeat the adjustment on the lower hinge and finally on the central hinge in the middle.

### DEPTH ADJUSTMENT

Loosen screw 'D' (fig. 3.1). Adjust the door leaf by rotating the screws 'E' and tighten screw 'D' (fig. 3.2). Repeat the adjustment on the lower hinge and finally on the central hinge in the middle.



Information contained within this document supersedes all previous versions and is subject to change without notice.

2/2

For Sales and Technical Enquiries, please contact Ezyjamb USA 1 888 Ezy Jamb

T: 1 888 399 5262 | F: 585.545.3010 | E: sales@ezyjamb.com | W: www.ezyjamb.com

**EZCONCEPT**  
Global Architectural Solutions

RY\_RY80\_SD\_0716