



Manufactured by STUDCO Building Systems

SCAN CODE TO VIEW INSTALLATION VIDEO

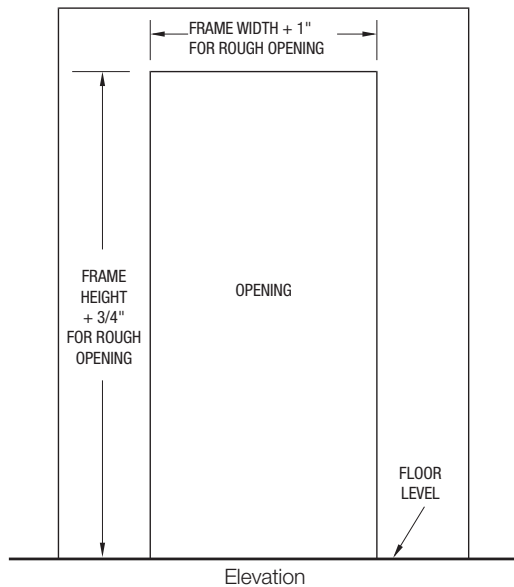
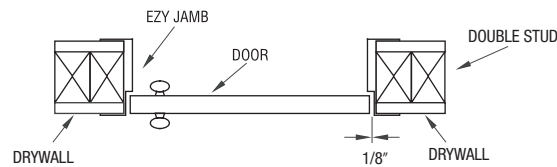


### Step 1

Insure that the rough opening is square, level and is the correct size.

**Important:**

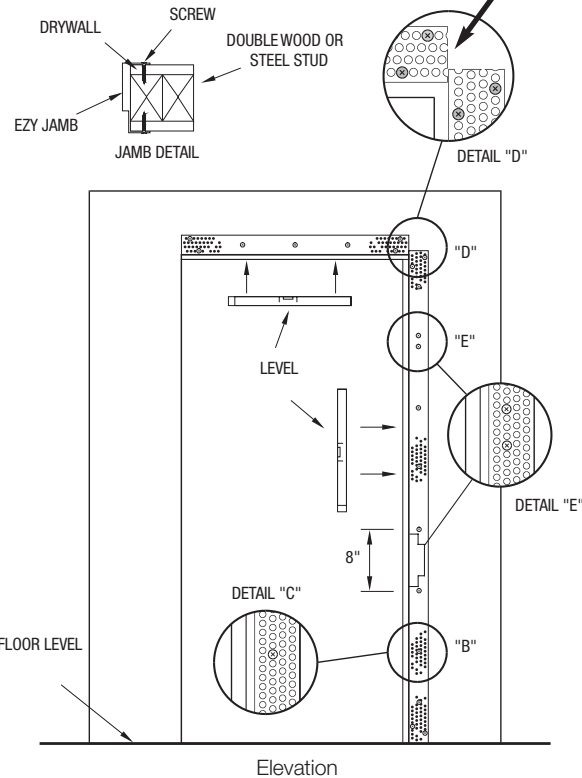
**Make sure the rough opening has double studs, the manufacturer strongly recommends wood studs or a minimum 20 gauge .030 metal studs on both sides of the opening.**



# EZYJAMB SRC INSTALLATION INSTRUCTIONS

### Step 2

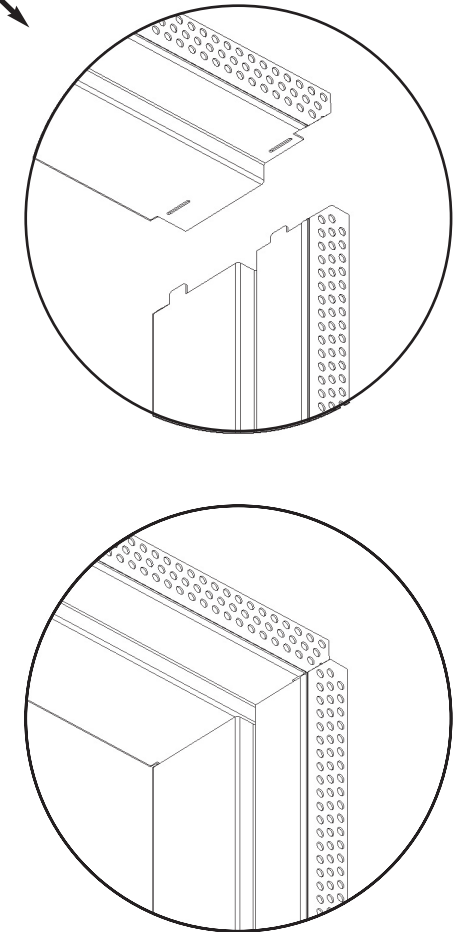
- Fasten hinge side first, making sure jamb is level and as tight against stud opening as possible.
- Then screw at 8" centers up stile, screwing back through drywall into stud jamb.
- Double screw all ends as *Detail D*. and beside hinge position - both above and below hinge if using concealed hinges as *Detail E*.



### Step 2A

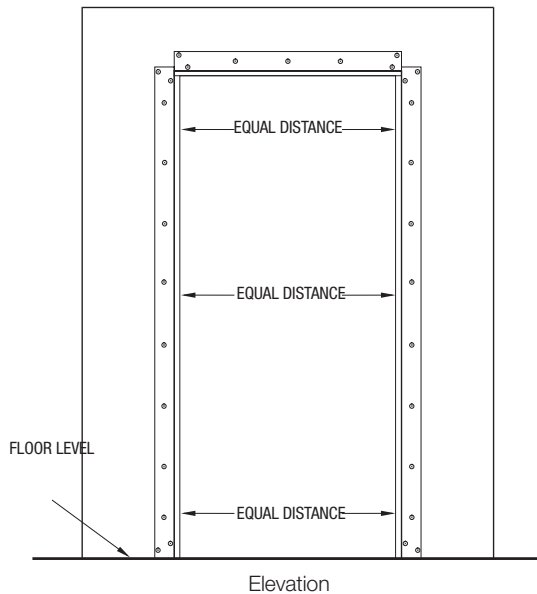
#### Head Installation Instructions

2A



### Step 3

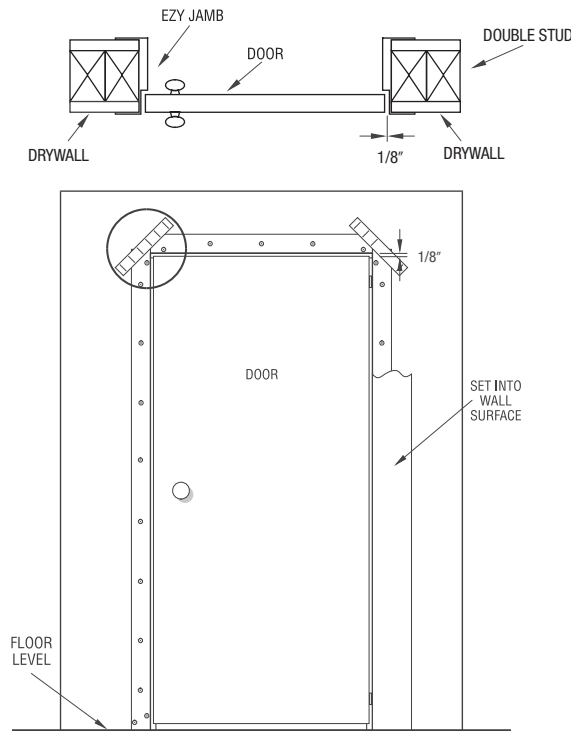
Fasten the final vertical section (strike jamb) below the head section. Insure that the spacing between the two vertical sections are spaced evenly at the required distance.



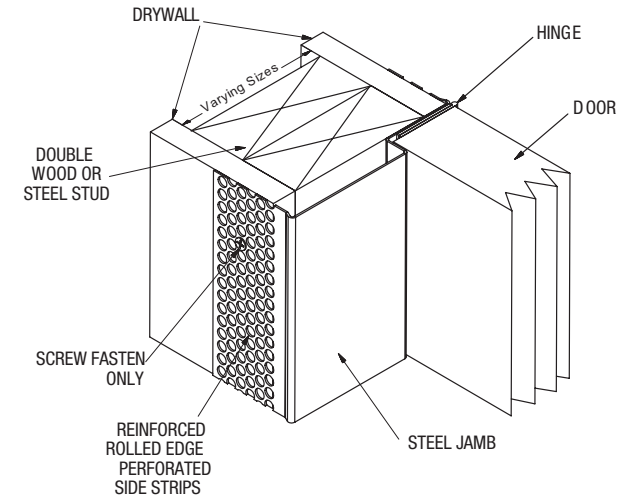
Information printed in this document or communicated by the designers, manufacturers, distributors or any agent is subject to change without notice to allow further development in design, manufacture and technology.

### Step 4

Insure the perforated side strips sit flat against the drywall to enable the jamb sections to be easily mudded into the wall surface. **All the corners must be paper taped and mudded in as Detail F.** Finish the jamb with drywall compound. Hang the door in position leaving about 1/8" clearance from the top and the hinged side using the Ezy Jamb Standard or Invisible Hinges. Insure that the rough opening is square, level, and is the correct size.



### SRC Detail



### Hinges Available

A range of Invisible (Concealed), SOSS, Standard and Mortised hinges available

Refer to hinge installation instructions for correct installation and rough opening preparation.



**ROCYORK**™

Rocyork have a select range of functional door furniture that integrates seamlessly with all facets of the EZYJamb door system.



EZY\_SRC\_INST\_0616