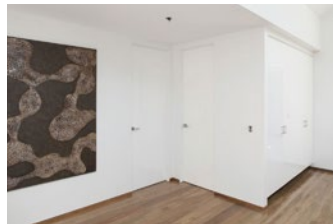
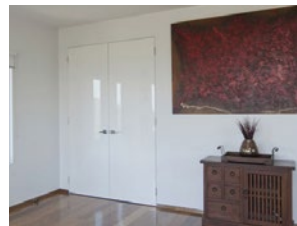


EZYJamb[®]

EZYJamb Single Rabbet - SRC

TRIMLESS DOOR FRAME



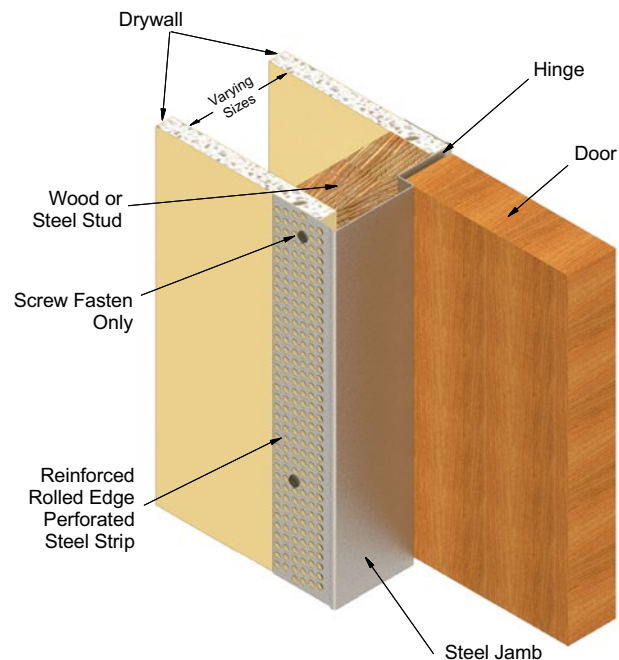
TRIMLESS DOOR FRAME

EZYJamb[®]

EZYJamb Single Rabbet - SRC

Trimless doors... Make a statement,
clean lines, flush finish...
Give your project a clean cut edge!

EZYJamb is a unique frameless jamb system that wraps the drywall during framing and when mudded and painted, blends seamlessly with the wall.



18 GAUGE SINGLE RABBET SRC TRIMLESS DOOR FRAME (FOR 1-3/4" DOORS)

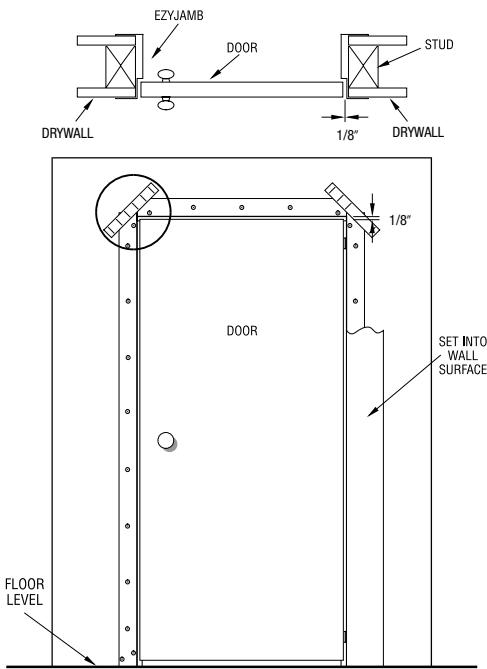
Finished Wall Thicknesses: 3-3/4", 4-1/2", 4-5/8", 4-3/4", 4-7/8"
5-1/4", 6-1/8", 6-3/4", 7-1/4", 7-3/4"
Custom sizes available upon request

Hinges Available	Invisible Type
	ROCyork RY-45
	ROCyork RY-50
	ROCyork RY-80
	ROCyork RY-120
	SOSS 216
	Tectus 340
	EZYJamb Standard Hinges*
	4" Stainless Steel (SS)
	4" Satin Chrome (SC)
	4" Polished Chrome (PC)
	4" Oil Rubbed Bronze (OB)
	Mortise Hinges (.134 Gauge)
	ROCyork 4-1/2" x 4-1/2"
	Ball Bearing and Spring Hinges
	4-1/2" x 4-1/2" Stainless Steel
	4-1/2" x 4-1/2" Satin Chrome
	4-1/2" x 4-1/2" Oil Rubbed Bronze
Strike Options	T Strike 2-3/4"
	ASA Strike 4-7/8"
	Deadbolt 2-3/4"
Fire Rating	Up to 90 minutes

* All standard hinges are surface applied.



CLEAN LINES! ... The Flush Finish Door Jamb System

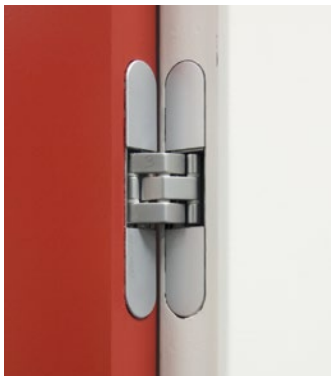


INSTALLATION

The EZYjamb 18 Gauge Single Rabbet SRC Trimless door frame is simple to install, and it requires no special maintenance.

The system is complemented by a range of hardware to suit different applications.

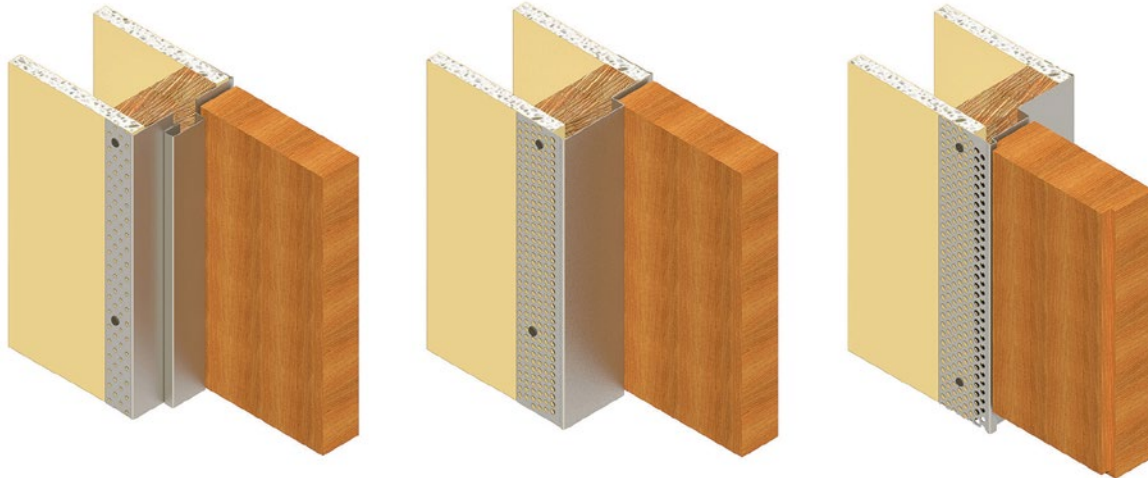
The completed jamb is flush finished and can be painted in with the whole wall area to fully conceal any fixing, achieving simple clean lines around the door face. The incorporation of reinforced edges overcomes the continual damage door jambs are subjected to by normal everyday use.



A range of Invisible (Concealed), Standard and Mortised hinges available

EZYJamb®

EZYJamb Single Rabbet - SRC



EZYJamb Classic Adjust – EZC

EZYJamb Single Rabbet – SRC

EZYJamb Inswing – ISD

Available in North America, Australia, New Zealand, UK and Europe.

Email: sales@ezyjamb.com

Web: www.ezyjamb.com

Call for nearest Distributor

Customer Service Hotline

1.888.EZY.JAMB (399-5262)

ANOTHER PRODUCT FROM:

EZCONCEPT 
Global Architectural Solutions

MANUFACTURED BY:

STUDCO
BUILDING SYSTEMS

EZY_SRC_BRO_0616

CLEAN LINES! ... The Flush Finish Door Jamb System