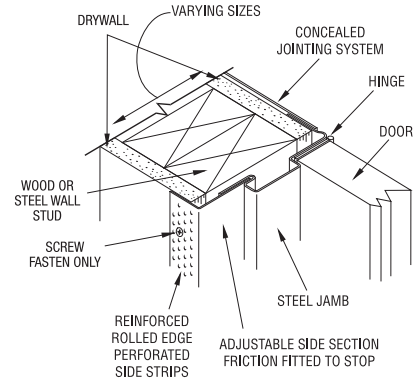
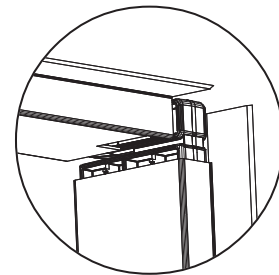


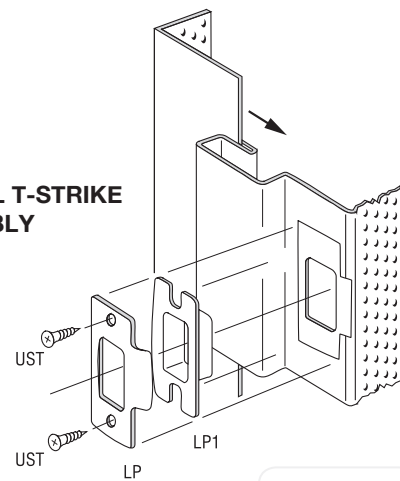
INSTALLATION DETAIL



TYPICAL CORNER ASSEMBLY



TYPICAL T-STRIKE ASSEMBLY



STRIKE OPTIONS:

- 4-7/8" ASA Strike
- 2-3/4" T-Strike
- 2-3/4" Deadbolt Strike



Fire Rated for up to 90 minutes

Version

20 GAUGE EZYJAMB TRIMLESS DOOR FRAME
(FOR 1-3/4" DOORS)

Dimension A

STANDARD STRIKE PLATE HEIGHT FROM FINISHED FLOOR TO CENTERLINE:
for 6'8" frame 36"
for 7'0" and 8'0" frames - 38"

Hinges Available from Manufacturer

1. INVISIBLE TYPE:

RocYork RY-30, RY-45, RY-50, RY-80
Tectus 340
Soss 216 & 416

2. EZY-JAMB STANDARD HINGES

All standard hinges are surface applied
4" Stainless Steel (SS)
4" Satin Chrome (SC)
4" Oil Rubbed Bronze (OB)

Specifications

20 Gauge galvalneal steel door frame adjustable for wall thicknesses up 8-7/8"

Information contained within this document supersedes all previous versions and is subject to change without notice.