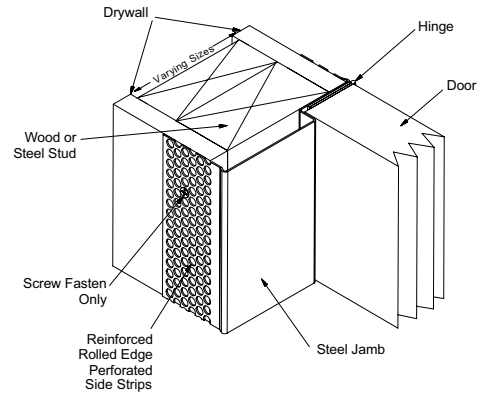
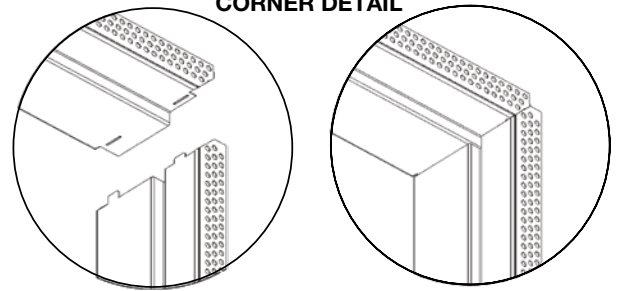


INSTALLATION DETAIL



CORNER DETAIL



Version

18 GAUGE EZYJAMB TRIMLESS DOOR FRAME (FOR 1-3/4" DOORS)

Strike Locations

STANDARD STRIKE PLATE HEIGHT FROM BOTTOM OF FRAME TO CENTERLINE:
for 6'8" frame: 36"
for 7'0" and 8'0" frames: 38"

Hinges Available from Manufacturer

1. INVISIBLE TYPE: (Hinges)

- ROCyork RY-45
- ROCyork RY-50
- ROCyork RY-80
- ROCyork RY-120
- SOSS 216
- Tectus 340

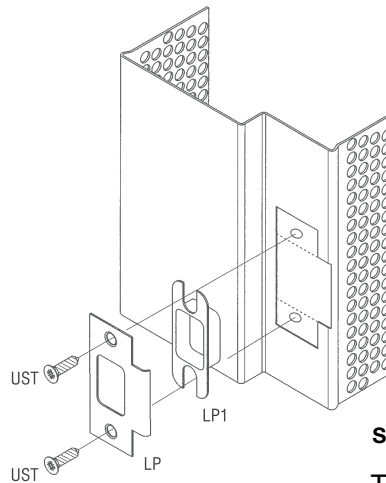
2. EZY-JAMB STANDARD - (Non-mortised hinges)

- All standard hinges are surface applied
- 4" Stainless Steel (SS)
 - 4" Satin Chrome (SC)
 - 4" Polished Chrome (PC)
 - 4" Oil Rubbed Bronze (OB)

3. MORTISE HINGES (.134 Gauge)

- ROCyork 4-1/2" x 4-1/2" Ball Bearing and Spring Hinges
- 4-1/2" x 4-1/2" Stainless Steel
 - 4-1/2" x 4-1/2" Satin Chrome
 - 4-1/2" x 4-1/2" Oil Rubbed Bronze

TYPICAL T-STRIKE ASSEMBLY



STRIKE OPTIONS:

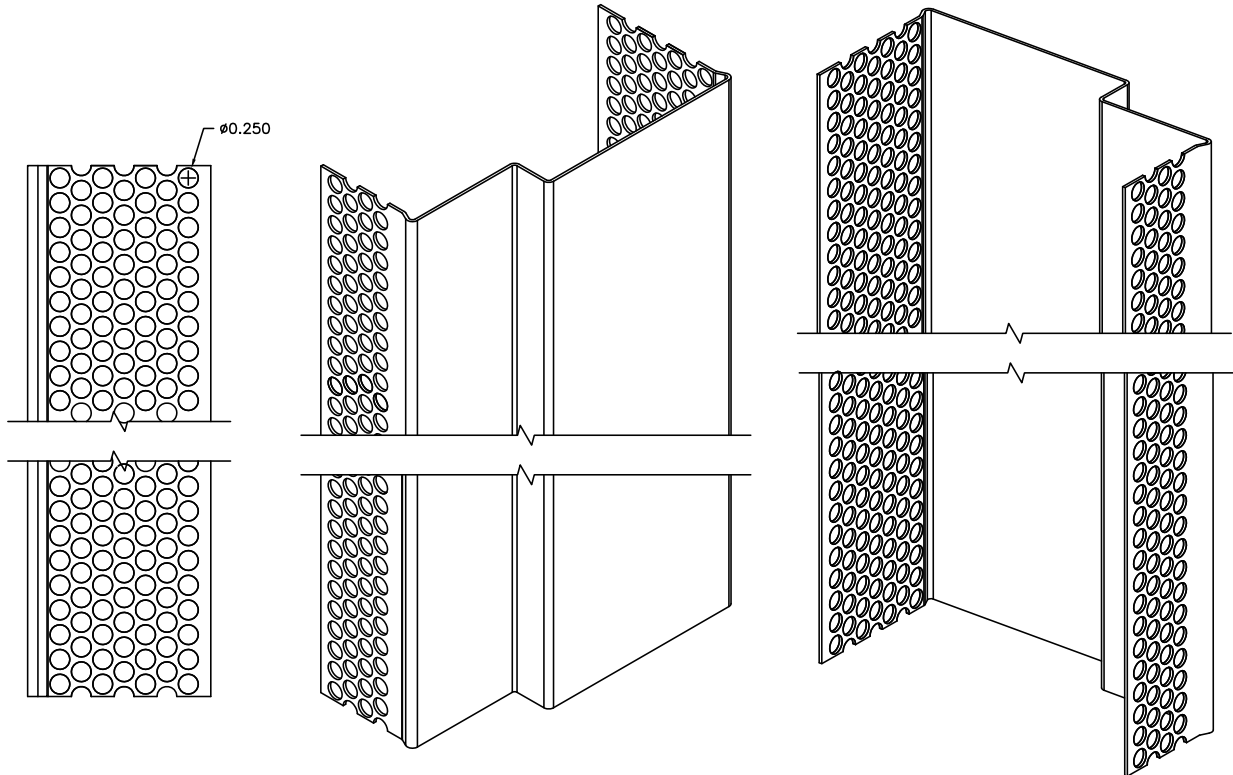
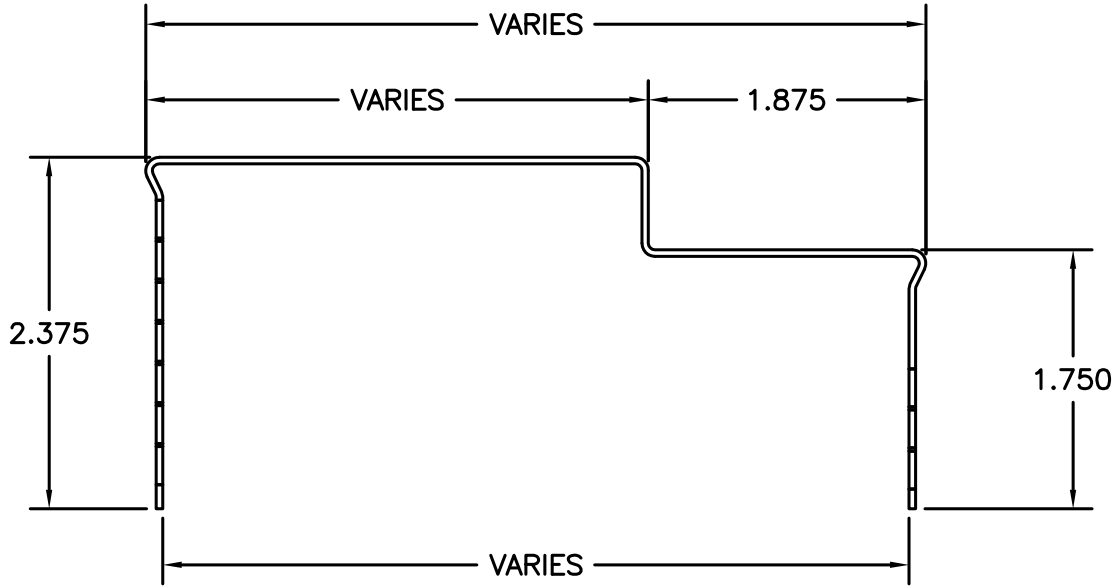
- T Strike 2- 3/4"
- ASA Strike 4- 7/8"
- Deadbolt 2- 3/4"

Fire Rated for up to 90 minutes



Specifications

18 Gauge galvaneal steel door frame for the finished wall thickness listed below:
3-3/4", 4-1/2", 4-5/8", 4-3/4", 4-7/8", 5-1/4", 6-1/8", 6-3/4", 7-1/4", 7-3/4"



EZY_SFC_SD_0616

Information contained within this document supersedes all previous versions and is subject to change without notice.