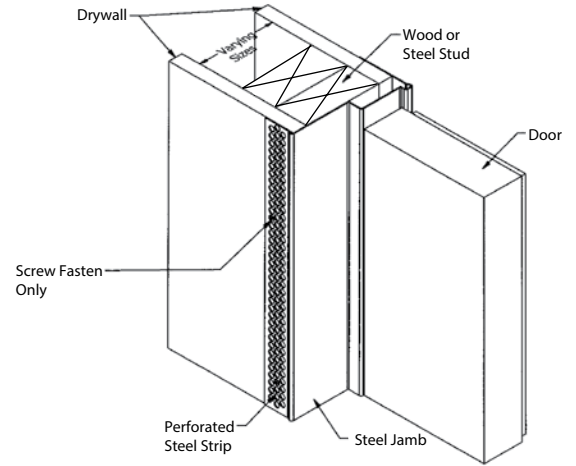
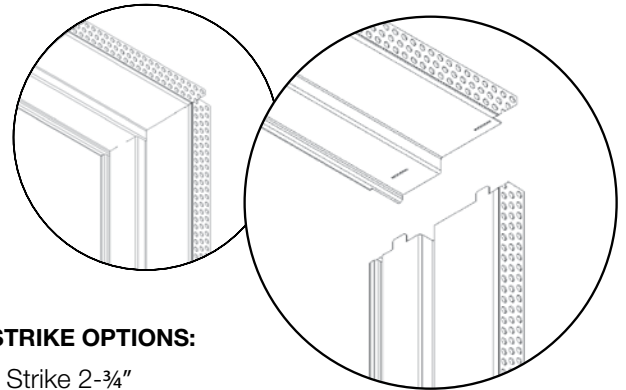


INSTALLATION DETAIL



CORNER DETAIL



Version

18 GAUGE EZYJAMB IN-SWING DOOR FRAME (PATENT PENDING)
(FOR 2-1/4" DOORS)

Strike Locations

STANDARD STRIKE PLATE HEIGHT FROM BOTTOM OF FRAME TO CENTERLINE:
for 6'8" frame: 36"
for 7'0" and 8'0" frames: 38"

Hinges Available from Manufacturer

1. INVISIBLE TYPE: (Hinges)

ROCYork RY-80
ROCYork RY-120
Tectus 340

2. MORTISE HINGES (.134 Gauge)

ROCYork 4-1/2" x 4-1/2" Ballbearing and Spring Hinge
4-1/2" x 4-1/2" Stainless Steel
4-1/2" x 4-1/2" Satin Chrome
4-1/2" x 4-1/2" Oil Rubbed Bronze

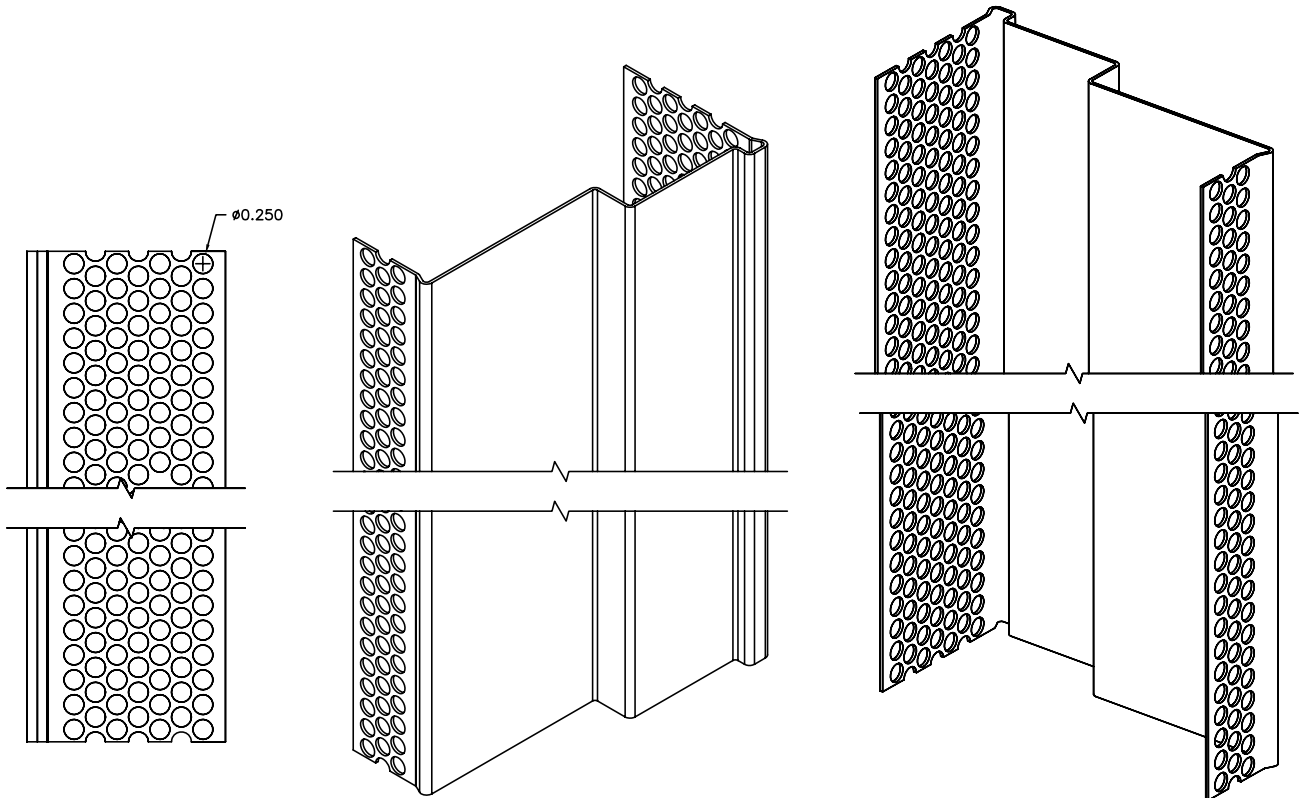
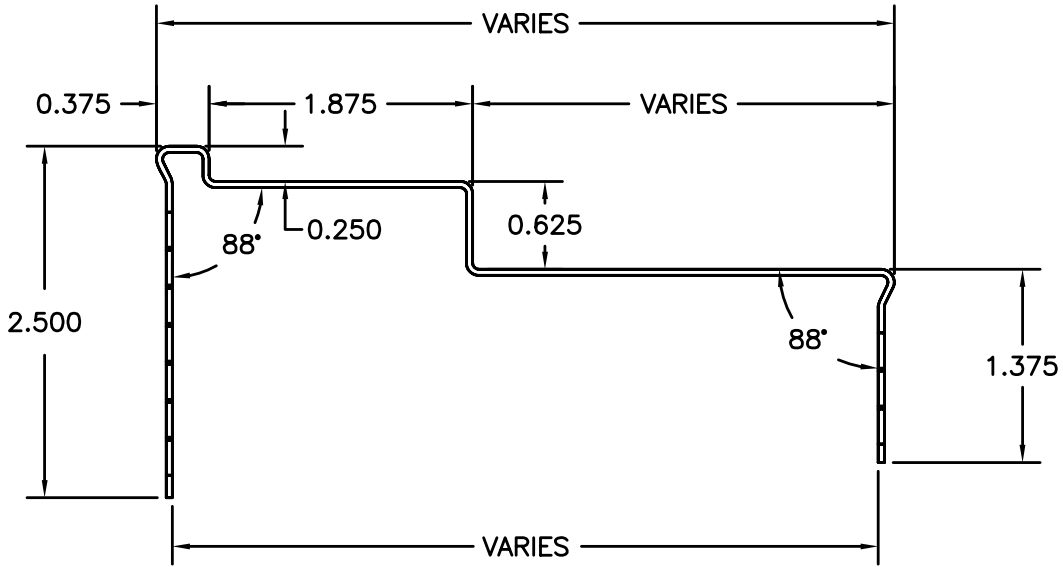
STRIKE OPTIONS:

T Strike 2-3/4"
ASA Strike 4-7/8"
Deadbolt 2-3/4"

Specifications

18 Gauge galvalneal steel door frame for the finished wall thickness listed below:

3-3/4"
4-1/2"
4-5/8"
4-3/4"
4-7/8"
5-1/4"
6-1/8"
6-3/4"
7-1/4"
7-3/4"



EZY_ISD_SD_0616

Information contained within this document supersedes all previous versions and is subject to change without notice.