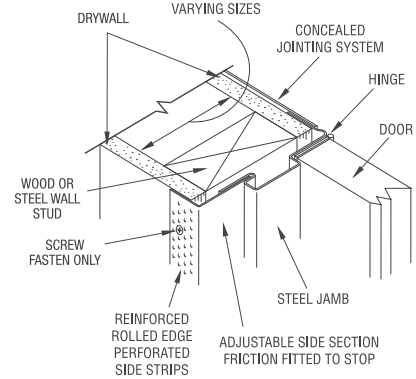
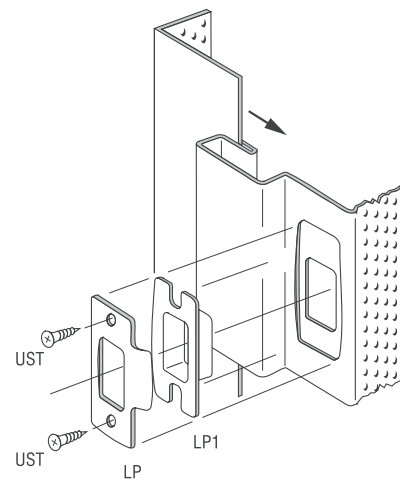
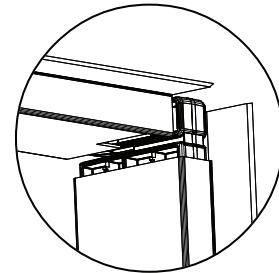


INSTALLATION DETAIL



TYPICAL CORNER ASSEMBLY



TYPICAL T-STRIKE ASSEMBLY

ASA Strike
Deadbolt 1" x 2 1/4"
Deadbolt 1 1/8" x 2 3/4"

Fire Rated for up to
90 minutes



Version

20 GAUGE EZYJAMB TRIMLESS DOOR FRAME
(FOR 1-3/4" DOORS)

Dimension A

STANDARD STRIKE PLATE HEIGHT FROM FINISHED
FLOOR TO CENTERLINE:
for 6'8" frame 36"
for 7'0" and 8'0" frames - 38"

Hinges Available from Manufacturer

1. INVISIBLE TYPE:

ROCYork RY-30, RY-80, Tectus 340, SOSS 216 & 416

2. EZY-JAMB STANDARD HINGES -

All standard hinges are surface applied

4" Stainless Steel (SS)

4" Satin Chrome (SC)

4" Oil Rubbed Bronze (OB)

* Hinge locations vary with door size - See hinge location chart.

Specifications

20 Gauge galvanized steel door frame adjustable for wall
thicknesses up to 8' 7/8"